

# CERTIFICATE

Certified Passive House Component

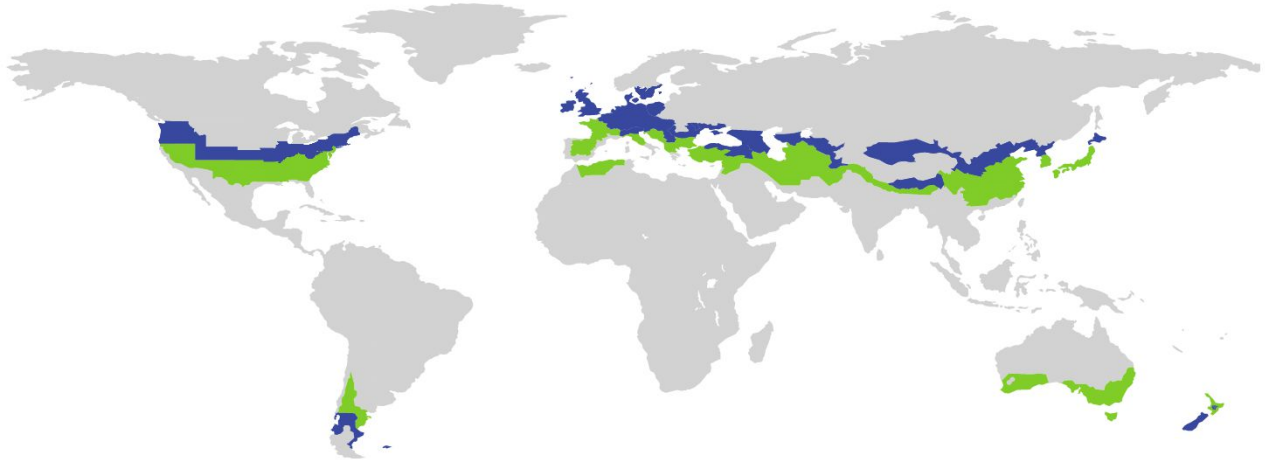
ID: 1650wj03 valid until 31 December 2022

Passive House Institute

Dr. Wolfgang Feist

64342 Darmstadt

GERMANY



Category **Wall junction**  
Manufacturer **Schöck Bauteile GmbH**  
**76534 Baden-Baden**  
**GERMANY**  
Product name **Sconnex® Typ W**

**This certificate was awarded based on the following criteria for the climate zone**

### Hygiene criterion

Temperaturefactor of opaque junctions

$$f_{R_{si}=0,25m^2K/W} \geq 0.70$$

### Energy criterion

The thermal bridge coefficient is

$$\psi \leq 0.80 \cdot \psi_{Max}$$



cool-temperate climate

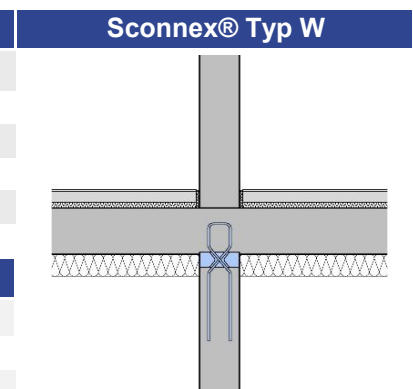


**CERTIFIED  
COMPONENT**

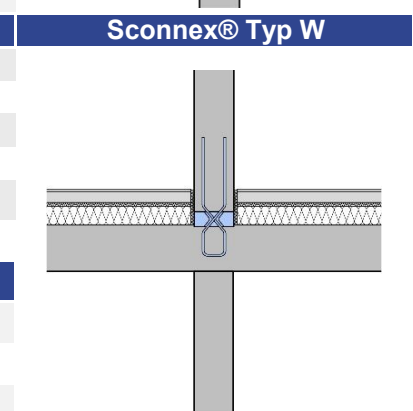
Passive House Institute

## Determined values

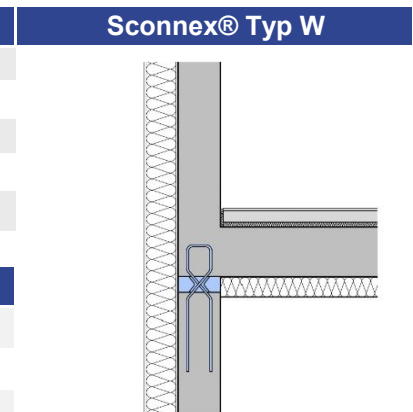
Insulation below ceiling					
Thermal transmittance ceiling					
<b>0.246 W/(m²K)</b>					
Thermal bridge coefficient $\psi_{Max}$ - reference flank insulation					
<b>0.2997 W/(mK)</b>					
Thermal bridge coefficient without thermal separation					
<b>0.6365 W/(mK)</b>					
Centre distance component [m]	$\psi$ [W/(mK)]	$f_{Rsi}$ [-]	h [m]	d [m]	
2.00	0.1123	0.91	0.10	0.20	
1.00	0.1623	0.90	0.10	0.20	



Insulation above ceiling					
Thermal transmittance ceiling					
<b>0.246 W/(m²K)</b>					
Thermal bridge coefficient $\psi_{Max}$ - reference flank insulation					
<b>0.6793 W/(mK)</b>					
Thermal bridge coefficient without thermal separation					
<b>0.7524 W/(mK)</b>					
Centre distance component [m]	$\psi$ [W/(mK)]	$f_{Rsi}$ [-]	h [m]	d [m]	
2.00	0.1052	0.89	0.10	0.20	
1.00	0.1646	0.87	0.10	0.20	
0.50	0.2897	0.87	0.10	0.20	
0.30	0.4073	0.84	0.10	0.20	



Exterior corner / ceiling above unheated basement / underground parking					
Thermal transmittance ceiling / wall					
<b>0.246 W/(m²K) / 0.140 W/(m²K)</b>					
Thermal bridge coefficient $\psi_{Max}$ - reference flank insulation					
<b>0.1373 W/(mK)</b>					
Thermal bridge coefficient without thermal separation					
<b>0.3400 W/(mK)</b>					
Centre distance component [m]	$\psi$ [W/(mK)]	$f_{Rsi}$ [-]	h [m]	d [m]	
2.00	-0.0005	0.86	0.10	0.20	
1.00	0.0432	0.86	0.10	0.20	
0.50	0.1118	0.84	0.10	0.20	



### Info

The maximum thermal bridge loss coefficient ( $\psi_{Max}$ ) for wall junctions equals the thermal bridge loss coefficient of the same construction with flank insulation (1.00 m length, 10 cm insulation thickness all round, thermal conductivity 0.035 W/(mK) without thermal separation).

Calculations and boundary conditions according to the criteria and algorithms "Certified Passive House Components - Column- and wall- connection, Version 1.1"