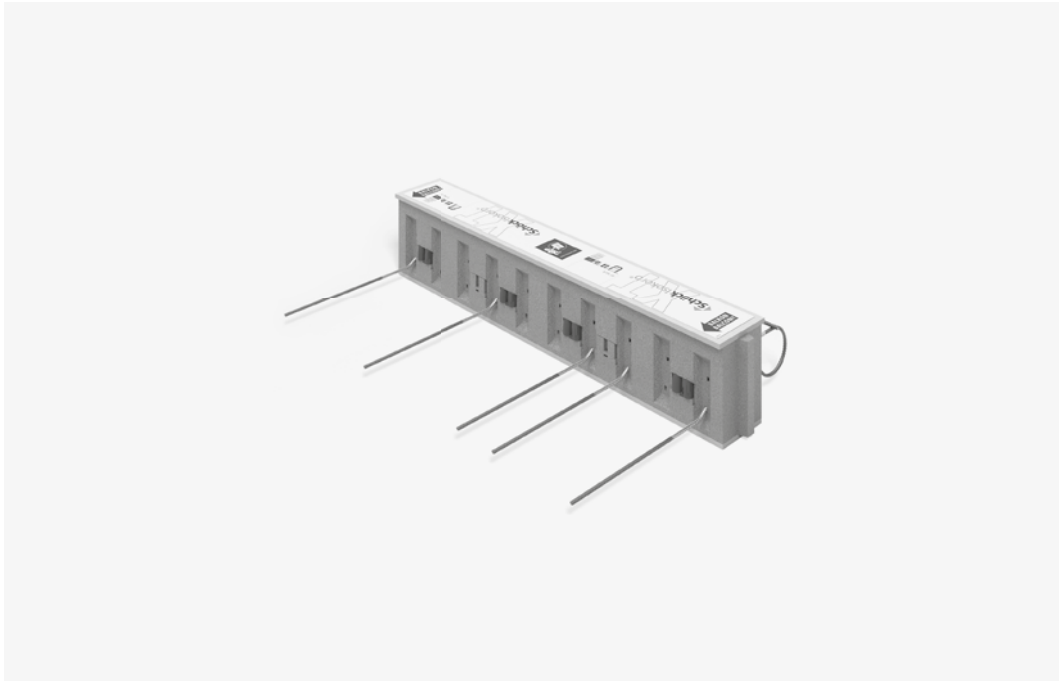


## Schöck Isokorb® XT/T type Q



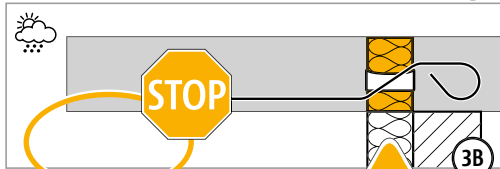
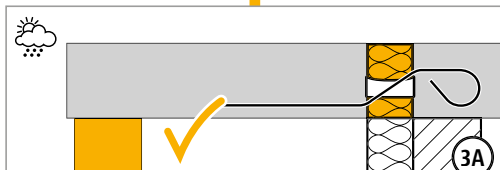
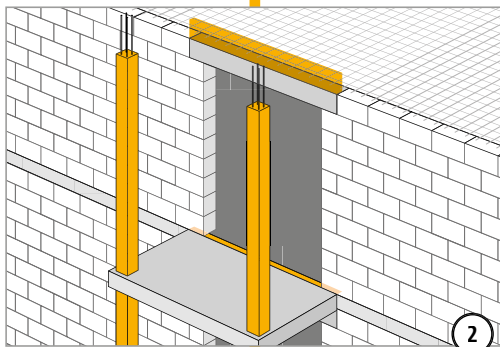
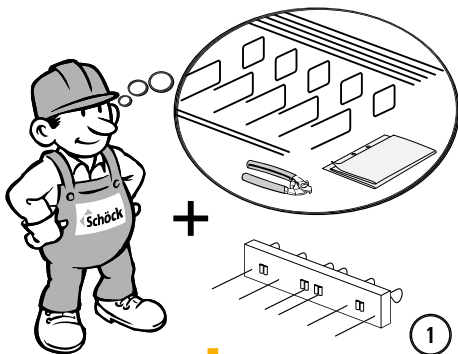
XT/T  
type Q

Reinforced concrete – reinforced  
concrete

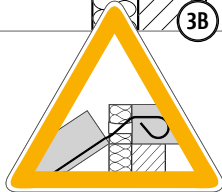
# Installation instructions

XT/T  
type Q

Reinforced concrete – reinforced  
concrete

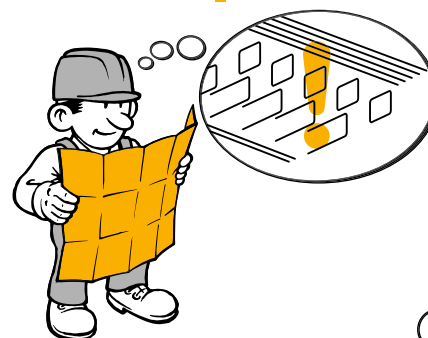
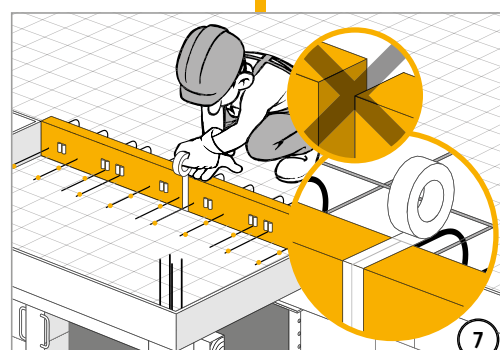
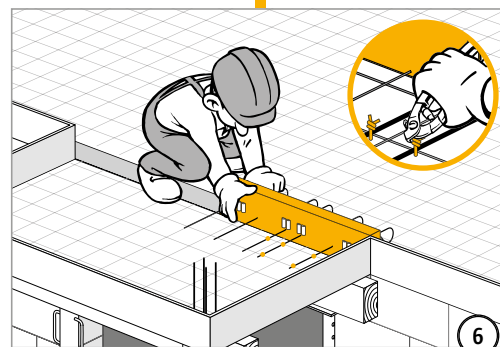
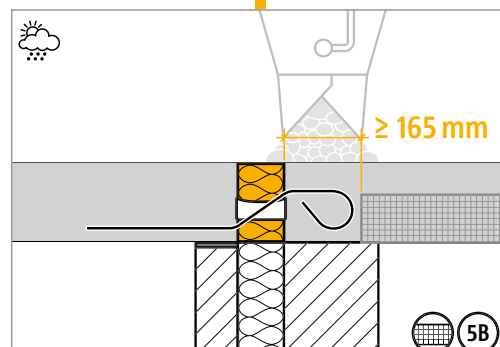
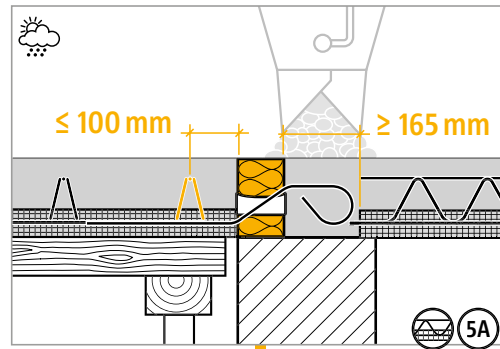
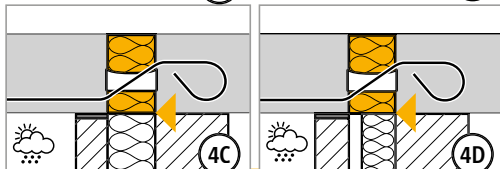
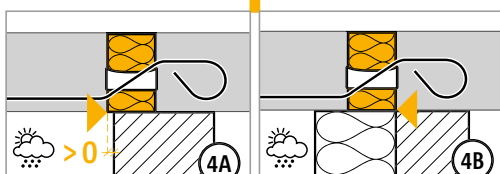


**⚠ WARNING**

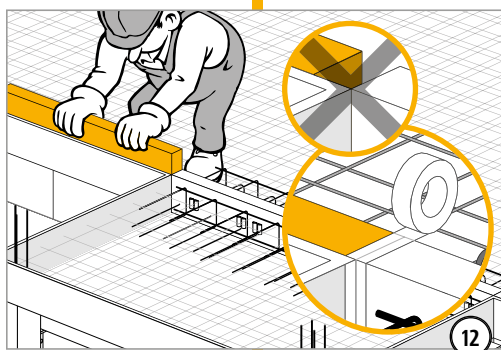
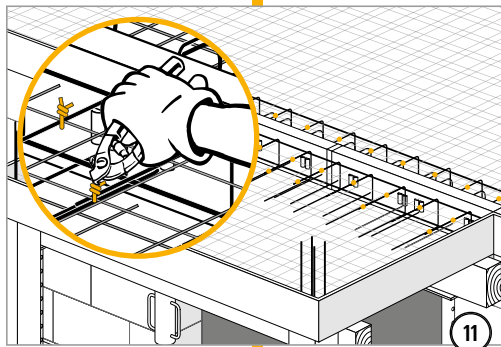
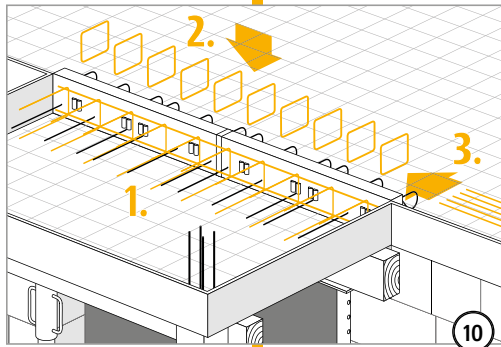
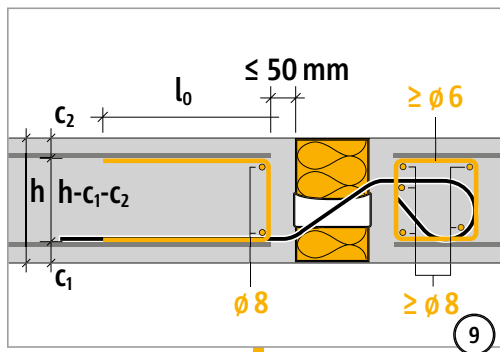


**Without support the balcony will collapse!**

The balcony must always be supported statically designed. Remove temporary support only after installation of final support.



## Installation instructions



XT/T  
type Q

Reinforced concrete – reinforced  
concrete